

LEDWP -30AC • LEDWP-30ACC

A NEW LED WALL LIGHT - ROBUST & ENERGY EFFICIENT

For use in a wide variety of outdoor applications:

- **Public space lighting** – Airports, car parks & railway stations
- **Domestic lighting** – Corridors & balconies
- **Commercial & Industrial** – Walkways, loading docks, storage areas

Two lens options are available:

Opaque Lens: LEDWP-30AC

Clear Lens: LEDWP-30ACC



TECHNICAL SPECIFICATIONS

Input Voltage	AC (100~240V) Frequency (50/60Hz)
Power Supply Efficiency	>90%
Power Factor	>0.95
LED Lumens	3,000
Fixture Lumens	2400
LED Lighting Efficiency	100 lm/W
Colour Rendering Index	>75
Colour Temperature	6000K
Beam Angle	90°
Ambient Temperature	-25°C to 50°C
IP Rating	IP65
Life Span	>50,000 hours
Eco-friendly	No UV, IR, Lead or Mercury
Materials	Die-cast Aluminium body, Polycarbonate cover, Anodised Aluminium reflector
Weight	2.56kg
Dimensions	308x288x182mm



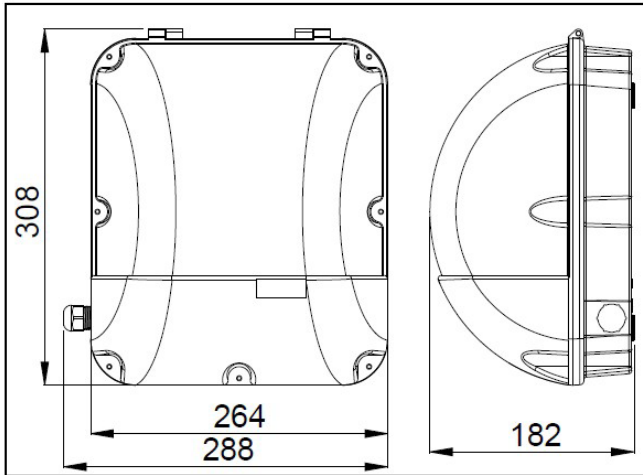
FEATURES

- Modern 'bulk head' style fitting
- Excellent combined with security cameras
- Weather and vandal resistant
- Bright white colour
- High quality anodised Aluminium reflector
- Driver warranty two years

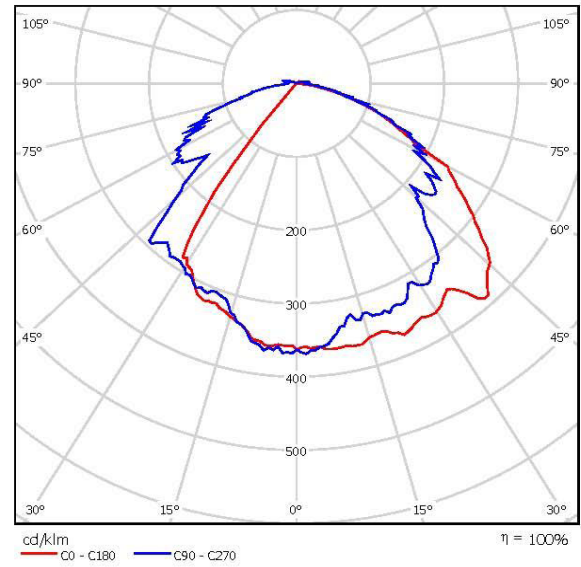
CAT NO.	Beam Angle (Degrees)	LED Lumens	Total Power	LED Power	Overall Height mm
LEDWP-30AC	90	3,000	33W	30W	308
LEDWP-30ACC	90	2,760	33W	30W	308

NOTE: 24V DV powered options available on special order
SDOC is available on our website

DIMENSIONS



BEAM ANGLE



INSTALLATION SIZE

